

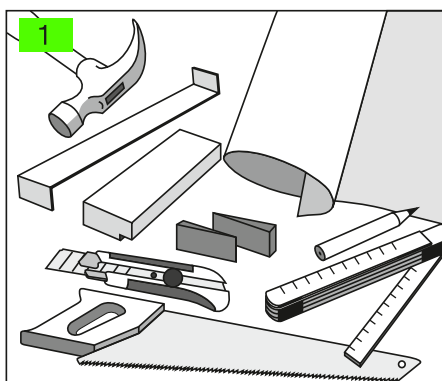
The **EuroClik** Collection

Installation Instructions

Dear customer,

We thank you for purchasing our EuroClik Collection flooring.

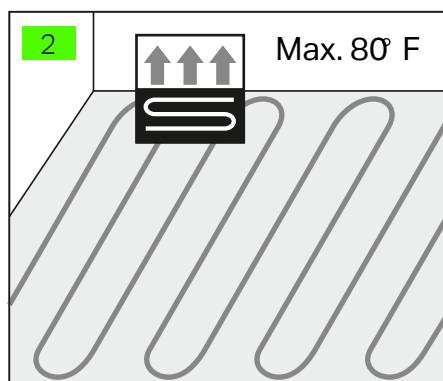
Before starting the installation, it is essential to read these instructions carefully. If these instructions are not followed, the installer will be deemed fully responsible.



INSTALLATION MATERIALS (picture 1)

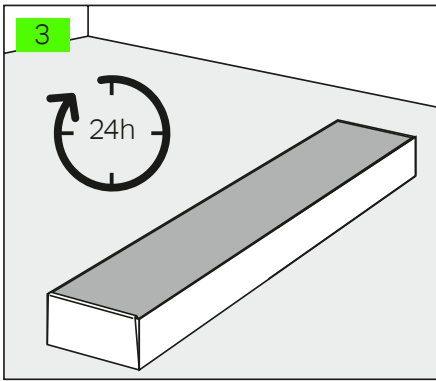
- EuroClik Installation Kit
(Hitting block - Expansion spacer - Striking bar)
- Quality underlayment:
 - EuroClik WITH an integrated cork layer:
Moisture barrier.
 - EuroClik WITHOUT an integrated cork layer:
Floating floor underlayment.
- Hammer
- EuroClik waterproof tape
- Pencil
- Saw
- Cutter
- Meter

Do not use glue, screws or nails during the installation.



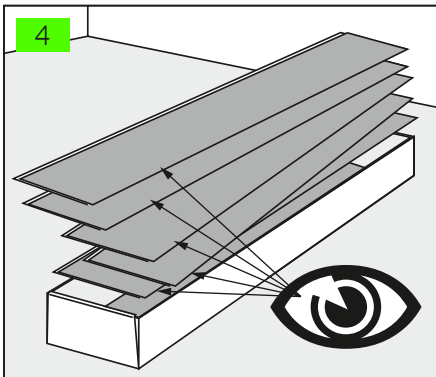
SUBFLOOR HEATING (picture 2)

EuroClik floors can be installed over subfloor heating. Follow the instructions of the floor heating manufacturer. The subfloor heating must be lower than 80°F (27°C). You can find our installation instructions at www.realwoodcontract.com.



JOBSITE STORAGE: Store EuroClik floors in a perfectly dry and protected room with an air humidity of 30% to 60% and a temperature of 50-70° F (10 to 21° C). In order to prevent deformation, the boxes may not come into contact directly with the ground.

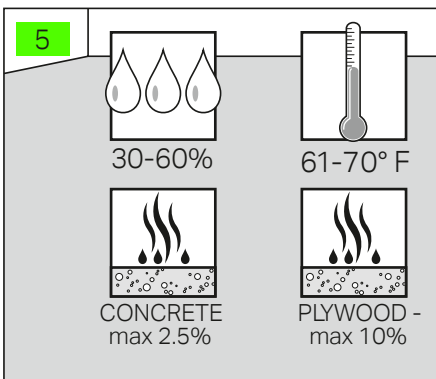
Warning: Do not open the boxes until the moment of installation.



PREPARATIONS: Put the EuroClik boxes in the relevant room 24 hours before installation. Put the boxes in the middle of the room and not against a wall. (picture 3)

Open the packs just before installation. Check every board carefully. Do not install boards with defects. (picture 4)

NOTICE: Veneer flooring is a natural product and therefore unique so no boards are identical. Minor variations in colour and structure are normal. Small natural marks such as knots and mineral streaks are tolerated and have no effect on the quality of the floor. We strongly advise to use the same production batch per room in order to obtain the most uniform result. You can find the production number on the backing of each board and we highly recommend not to mix 2 different batches.

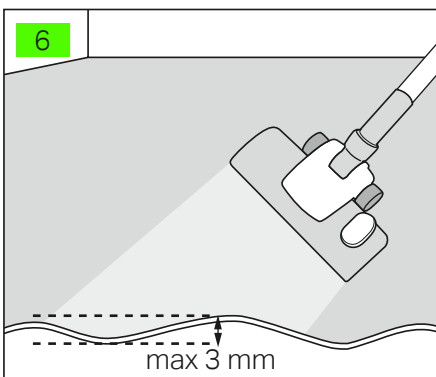


Defects in the subflooring have to be repaired.

The sub floor must be:

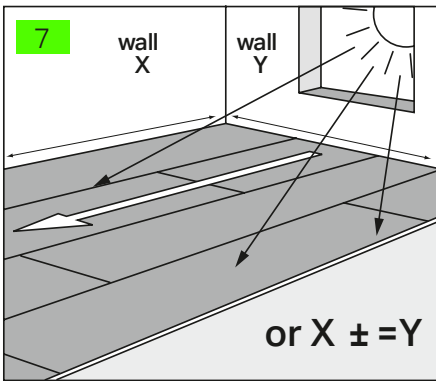
- Clean and dust free
- Sound with no loose particles.
- Flat. The maximum difference in height is 3/16" over 10 feet.

In principle, EuroClik can be installed on any subfloor that is solid and sound. The ideal fitting circumstances are a temperature between 50°F and 70°F (10°C and 21°C) and an atmospheric humidity between 30% and 60%. (picture 5 and 6)



UNDERLAYMENT

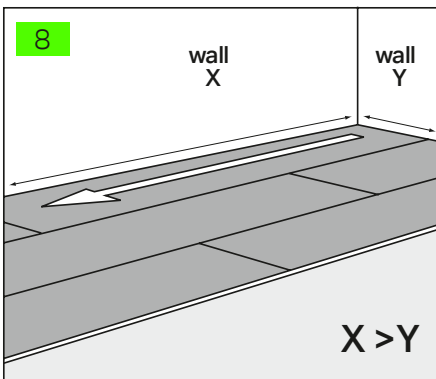
- For the collections with an integrated cork layer, we recommend to use a moisture barrier under the floor.
- If your floor doesn't have an integrated cork layer, use an approved floating floor underlayment material. In humid climates or when there is a humidity risk in the wall, we suggest to fold the underlayment 2" (5 cm) up to the wall or use waterproof tape to seal the underlayment against the wall. This is to help prevent moisture contact that may damage the flooring.



LAYOUT (picture 7 and 7)

We recommend to install the floor towards the light or in the direction of the longest wall.

NOTICE: Some wood species are sensitive to colour variations under the influence of UV light. It is a natural phenomenon that colours darken or lighten in the course of time.



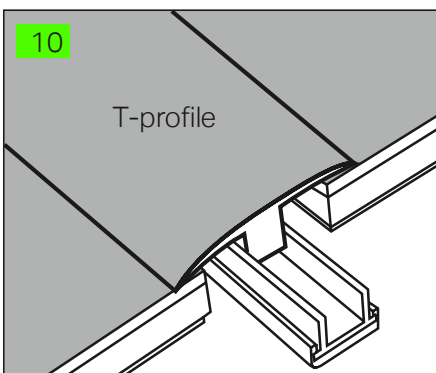
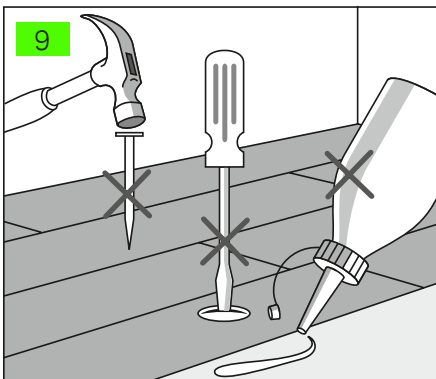
INSTALLATION

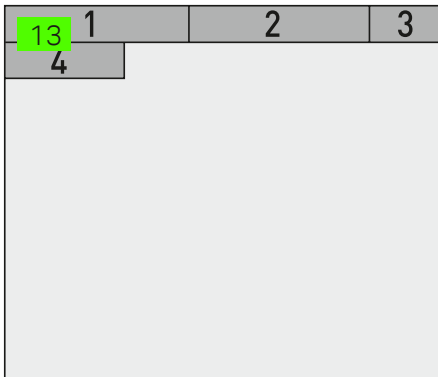
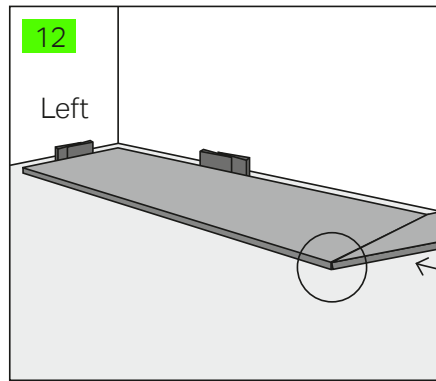
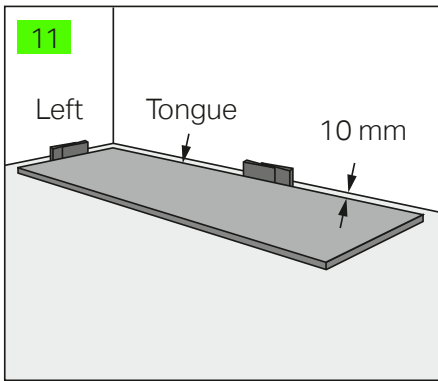
EuroClik uses the EuroClik Locking System for the installation of floating floors without using adhesive. The floorboards are held together using a click tongue-and-groove system.

This system allows faster, fault-free laying.

EuroClik is a real wood floor. Sufficient expansion gaps should therefore be left along each wall, around heating pipes, and around obstacles on the surface (for example door frames).

The minimum expansion gap is 10 mm, or 1 mm per running meter.



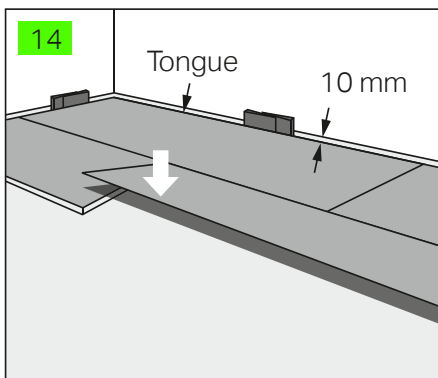


Place the EuroClik floor parallel to the long wall of the room. Place the floors from left to right, with the tooth side facing the beginning wall.

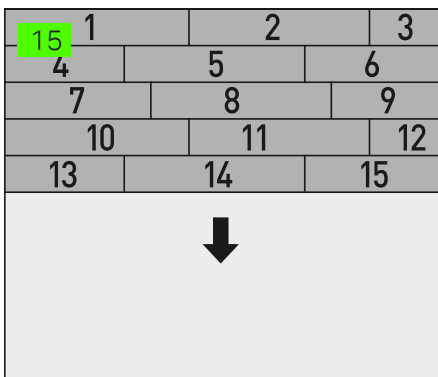
Place spacers that serve as 3/8" (10 mm) expansion joints. **(picture 13)** Installation is very easy thanks to the Unifit X[®] system. The end connection of a board can be most easily and safely installed by pushing the connection down. **(picture 14)**. A rubber mallet can be useful to check the connections a second time and, if necessary, to tap gently.

Place the first 2 rows according to **picture 13**.

By placing the first 2 rows as shown on the image you will get a straight edge to start the rest of the placement. The sawn-off pieces of the first and second rows usually form the perfect starting boards for the third and fourth rows. Always use spacers to maintain the correct distance from the wall. **(picture 13 & 15)**



Lift the next board at an angle of 20 to 30 degrees, push the board into the groove on the long side and carefully slide it to the left until it touches the end of the previously laid board. Push the board down firmly towards the floor and thanks to the Unifit X[®] system the connection in the end fits perfectly. Always check each joint before proceeding (tap them carefully with a rubber mallet and tapping block if necessary). **(picture 14)**

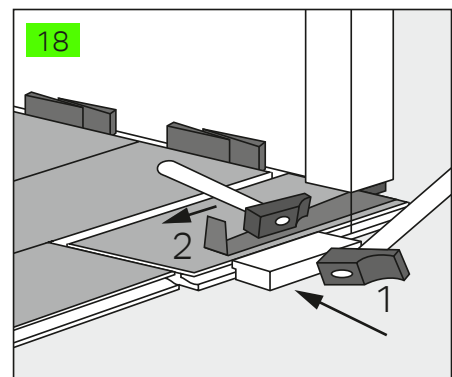
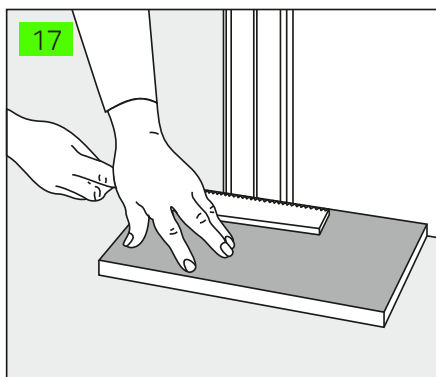
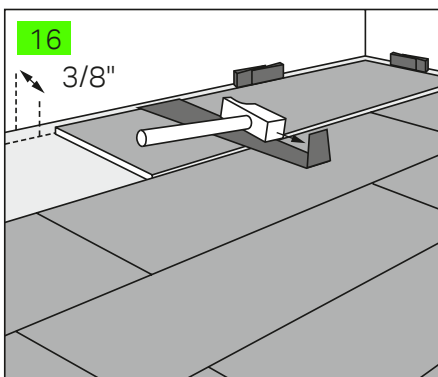


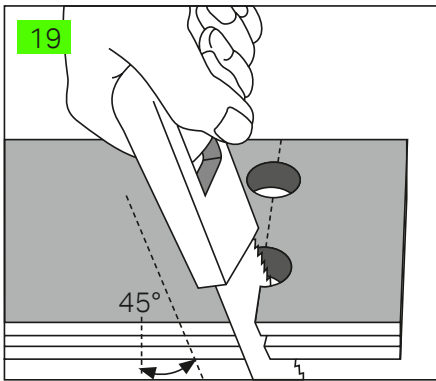
The last row

Always leave an expansion gap of 3/8" (10 mm) between the last board and the wall. Cut the boards of the last row in the length. To click the boards in the second last row, use the metal striking bar from the installation kit. **(picture 16)**

Doorframes

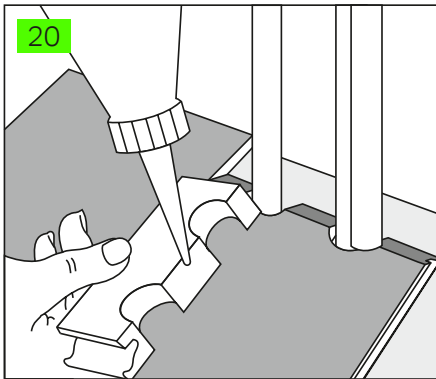
Cut the boards and make sure there is an expansion gap of 10 mm (3/8"). Use the striking bar in case it is not possible to click the board. **(picture 17 and 18)**





Pipes

See in **picture 19** how best to cut EuroClik boards to fit around pipes and similar fixtures. Gaps next to the pipes should be filled with silicone. It's important the expansion gaps are closed off to avoid moisture from contacting the floor. (**picture 19 and 20**)



The finish

Due to the fact that the floor is installed without glue, you can immediately walk on the floor after installation. Remove all spacing blocks and install the skirtings. Never fix the skirtings to the floor, but always to the wall. The floor needs to expand and contract under the skirting. Use silicone where you are not able to use a skirting. In general; the floor has to be sealed to avoid penetration of moisture.

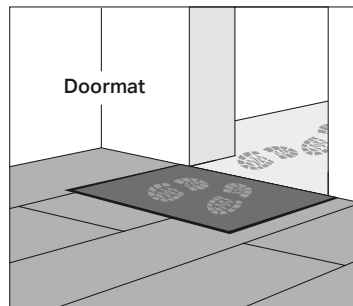
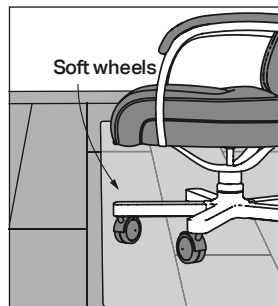
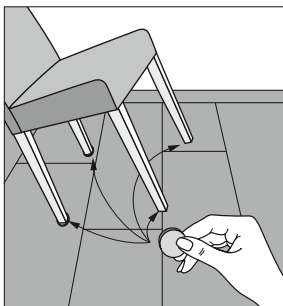
MAINTENANCE AND PROTECTION

For an optimal protection of your EuroClik floor, use:

- Floor protectors such as felt pads under furniture.
- Appropriate wheels and castors under office chairs and other furniture. Steel and other hard wheels will damage the floor. Place protective mats under rolling chairs.
- Doormats at exterior entrances.

Use the Real Clean Floors cleaner to maintain your EuroClik floor. Real Clean Floors cleaner removes the dirt without harming the finish and it gives your floor a nice look.

Contact your dealer for hard to clean spots.



The **EuroClik** Collection